

CLAMP SPECIFICATIONS

CLAMP DETAILS	SINGLE CLAMP	DUAL CLAMP	TRIPLE CLAMP	QUAD CLAMP
Clamp Width	70mm	148mm	210	272mm
Clamp Pipe Range (In 5 steps)	50-500mm	50-500mm	100-500mm	100-500mm
Clamp Max. Sealing Pressure	20 bar	20 bar	20 bar	20 bar

Note:
VPG RAPID RESPONSE Clamps can be ordered individually or supplied in various quantity/kit configurations.
Larger sizes can be made to order.
Max. sealing pressure achieved under hydrostatic test conditions with clamp centralised over 10mm hole.

DISTRIBUTED BY:

World Wide Metric, Inc.
37 Readington Road
Branchburg, NJ 08876
sales@worldwidemetric.com
732-247-2300
www.worldwidemetric.com

ABOUT VALLEY PRECISE GLOBAL

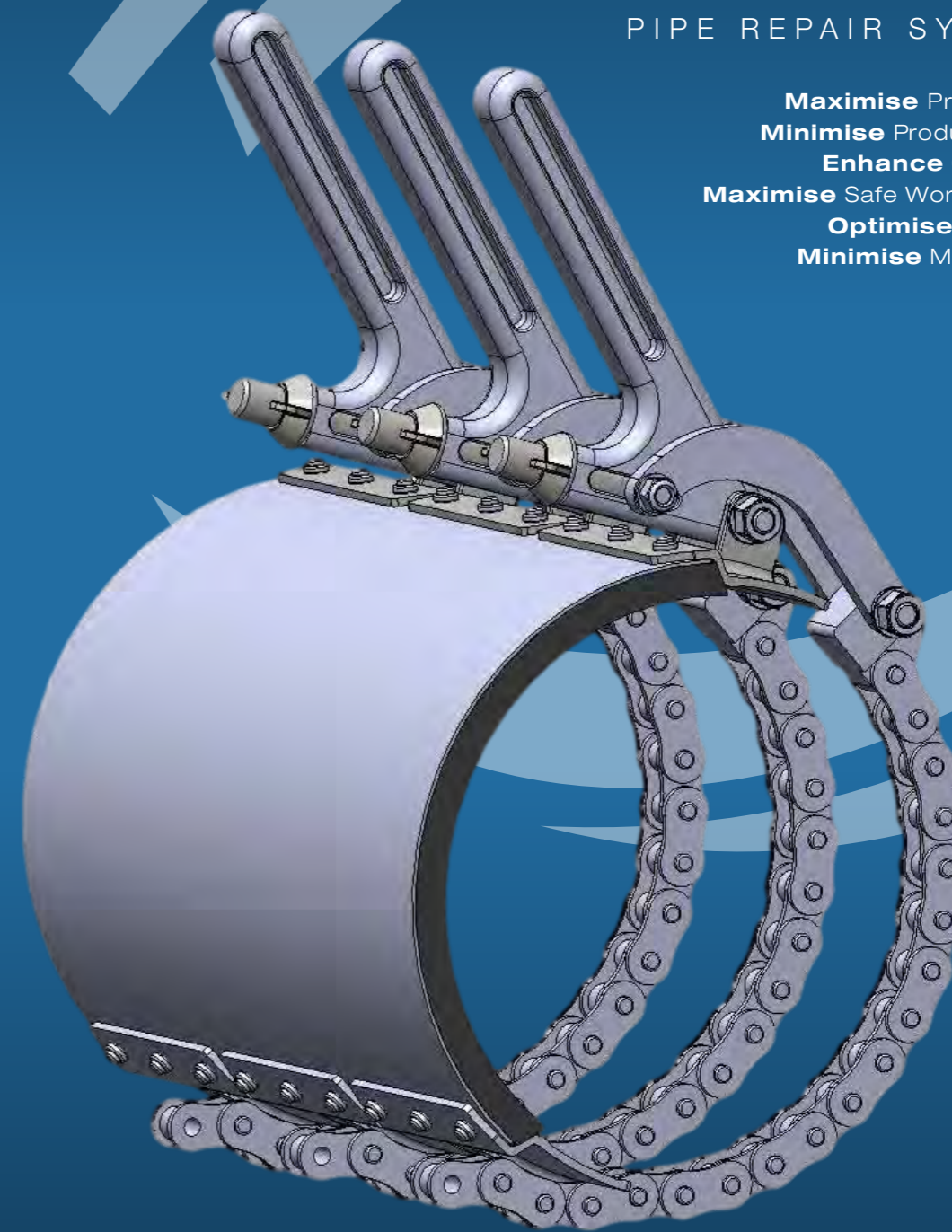
Valley Precise Global (VPG) develops a range of "RAPID RESPONSE" pipe repair clamping systems and accessories for commercial and military use. Featuring innovative product design, each system is exhaustively tested to ensure longevity in the harshest of environments, combined with ease and speed of use. VPG was established in 2010 to manufacture the VPG RAPID RESPONSE Pipe Repair System under license to the Australian Government Department of Defence (DSTO).

Design is protected under international patent.

VPG RAPID RESPONSE

PIPE REPAIR SYSTEM

- Maximise** Production Up Time
- Minimise** Production Down Time
- Enhance** Crew Survivability
- Maximise** Safe Working Environment
- Optimise** Asset Protection
- Minimise** Maintenance Costs



ADVANCED PIPE REPAIR CLAMPING SYSTEMS AND ACCESSORIES



Valley Precise Global utilise the services of Quality Production Engineers, (QPE), Precise Global, and other businesses within the Precise Advanced Manufacturing Group, (PAMG), Valley Engineering and validated partner suppliers.

©Copyright by Valley Precise Global PTY LTD ABN: 78 145 599 748
Valley Precise Global reserves the right to change product designs and specifications without notice.



ValleyPreciseGlobal
Rapid Response Pipe Repair Solutions

5X FASTER

- ✓ Easy to install
- ✓ No tools required
- ✓ One person installation
- ✓ One clamp covers a wide range of diameters
- ✓ Reusable

VPG "Rapid Response" Pipe Repair Clamping System

Extensive testing by the DSTO and Royal Australian Navy found the RAPID RESPONSE CLAMPS **five times faster to install** than other leading brands⁺.

FAST AND EASY

The VPG RAPID RESPONSE™ Pipe Repair System is the fastest and easiest way to temporarily repair pipe leaks and bursts. Taking less than 60 seconds to install by one operator and featuring a fully self-contained design, which does not require the use of tools, VPG RAPID RESPONSE™ is the smarter choice for emergency pipe repair.



Having VPG Clamps at the ready ensures that there is a fast and efficient response to any emergency or breakdown caused by the failure of critical pipes within your operations.

HIGHEST QUALITY

Made from marine-grade stainless steel and featuring an innovative, patented design, the system features a choice of three grades of material in the lipseal, making it suitable for water, potable water, steam, gas and most chemicals/petroleum liquids.

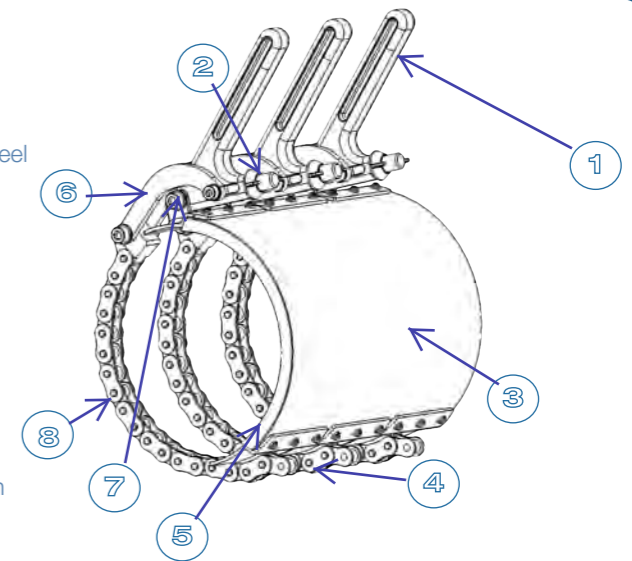
MANY APPLICATIONS

VPG are licensed by the Defence Science and Technology Organisation (DSTO) and have produced lever clamps for assessment by the Royal Australian Navy. The resulting VPG RAPID RESPONSE™ Pipe Repair System also suits a wide range of commercial applications including oil & gas, mining, dairy, emergency services, food & plumbing.



VPG RAPID RESPONSE CONSTRUCTION

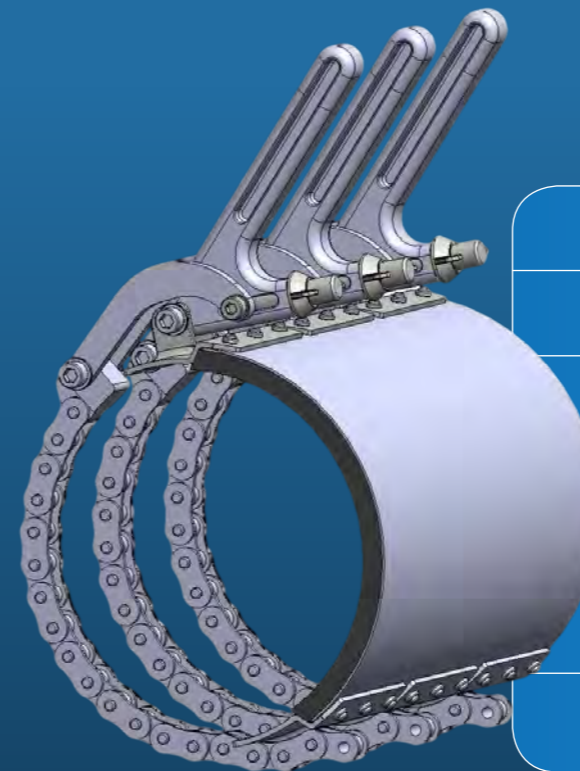
- 1 **Locking Handle** 316 Stainless Steel
- 2 **Adjustment Nut Assembly** 316 Stainless Steel
- 3 **Backing Plate** 316 Stainless Steel
- 4 **Chain Hook** 316 Stainless Steel
- 5 **Sealing Gasket** Nitrile Neophrene or Therban
- 6 **Linkage Arm** 316 Stainless Steel
- 7 **Pivot Assembly** 316 Stainless Steel
- 8 **Tension Chain** Nickel Plated / High Tensile Chain



Clamps can be ordered individually or supplied in various quantity/kit configurations.

BETTER BY DESIGN 6 WAYS

- | | |
|---|--|
| 1 | Fast and easy to install by one operator |
| 2 | Reusable with no tools required |
| 3 | Fits pipe sizes ranging from DN 50-DN 500 (larger sizes available on request) |
| 4 | Can be applied to pressurised pipes to 20 bar |
| 5 | Robust and durable, featuring Nitrile, Neophrene or Therban lip-seal for use with most fluids, gas, and steam to 165C+ |
| 6 | Metal components typically 316 SS for high corrosion protection |



⁺ Australian Defence Science and Technology Organisation (DSTO) (Victoria), 2011;
Royal Australian Navy Damage Control Testing Facility, HMAS Cerberus (Victoria), 2011;
Royal Australian Navy Combat Survivability Group (NSW), 2011.
* Standard Jubilee Pipe Patch; Band-it Banding Clamp.

