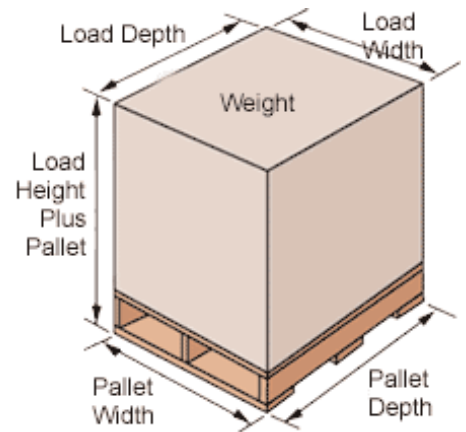


Pallet Rack Design Guide

This guide is for assistance in specifying selective pallet racking. If you're not certain what you need, please contact Steel King and we'll be glad to assist you. If you have any questions, feel free to email Steel King at info@steelking.com or call our Customer Service Department at (800) 826-0203.

To determine pallet rack configurations, follow these 6 steps:

1. Determine the depth and width of your pallet.
2. Determine the load depth, load width, load height and weight of your largest load. For the overall height, add the height of the load and the height of the pallet together for the total.
3. To determine the front-to-back depth of your uprights, subtract 6" from your pallet depth.



Example: Your pallet is 40" Wide x 48" Long (Depth).

$$\text{Subtract } (48'' - 6'') = 42'' \text{ Uprights}$$

4. To determine the beam width (assumes 2 pallets per beam):
Multiply the load width x 2 and add 12".

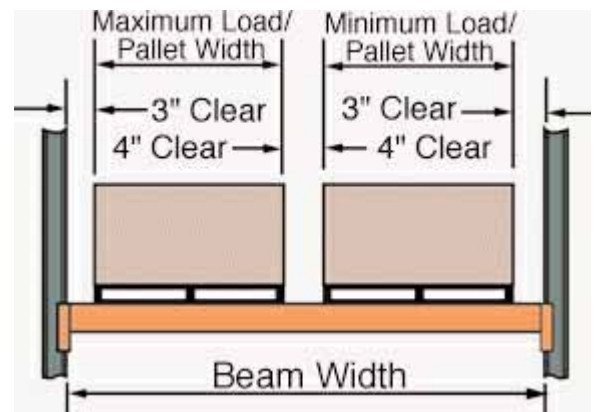
Example: Your load width is 42".

$$2 \times 42'' = 84'' + 12'' = 96'' \text{ beam length.}$$

If required, round the length up to the next highest beam length.

5. Check the beam capacity to ensure the specified beams will carry the planned load.

Do not exceed beam capacity.



Steps continued on next page.

w.w.Cannon, Inc.

Design. Layout. Build. Install.

800-442-3061
www.wwcannon.com

Pallet Rack Design Guide

6. Determine your upright height:

(A) Multiply the number of pallets high stored minus one pallet x 10".

Example: If storing 4 pallets high.

4 pallets high minus one pallet is 3, then multiply 3 pallets x 10" = 30"

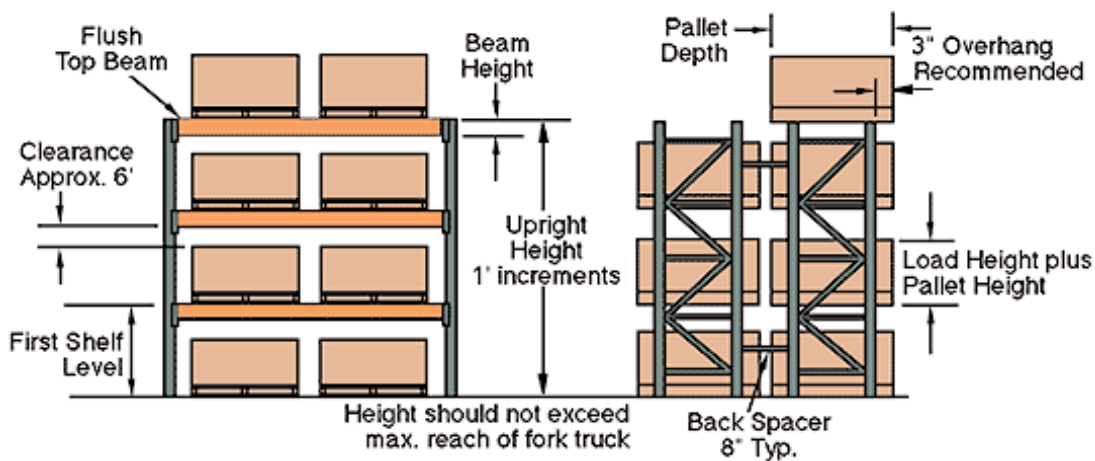
(B) Multiply the number of pallets high stored minus one pallet by the overall load height. Include the pallet height in the overall load height.

Example: If storing 4 pallets high, with an overall load height of 50".

4 pallets high minus one pallet is 3, then multiply 3 pallets x 50" = 150".

(C) Add the two numbers you solved for together (30" + 150" = 180" in this case).

This number is your upright height. See table for standard upright sizes.



Notes on Upright Height

- ♦ The 10" between pallets allows for beam depth and space to lift and remove the pallet.
- ♦ Be certain there is adequate space left between load height of uppermost pallet and sprinkler heads, light fixtures, and other obstructions that may exist overhead.

If you have any special requirements or questions, please contact your nearest Premier Distributor or Steel King at (800) 826-0203 for assistance.

w.w.Cannon, Inc.

Design. Layout. Build. Install.

800-442-3061

www.wwcannon.com