



# DL72N DENKA

## The DENKA Series

When limited access or weight restrictions prevent the use of standard boom lifts, the DENKA lift series represents a cost efficient, simple and effective solution. With standard features that allow the lift to pass through single door openings, travel and set up on virtually any surface and reach work heights between 72ft to 92ft, the DENKA has become the work horse for facilities around the world with moderate reach requirements and limited access.

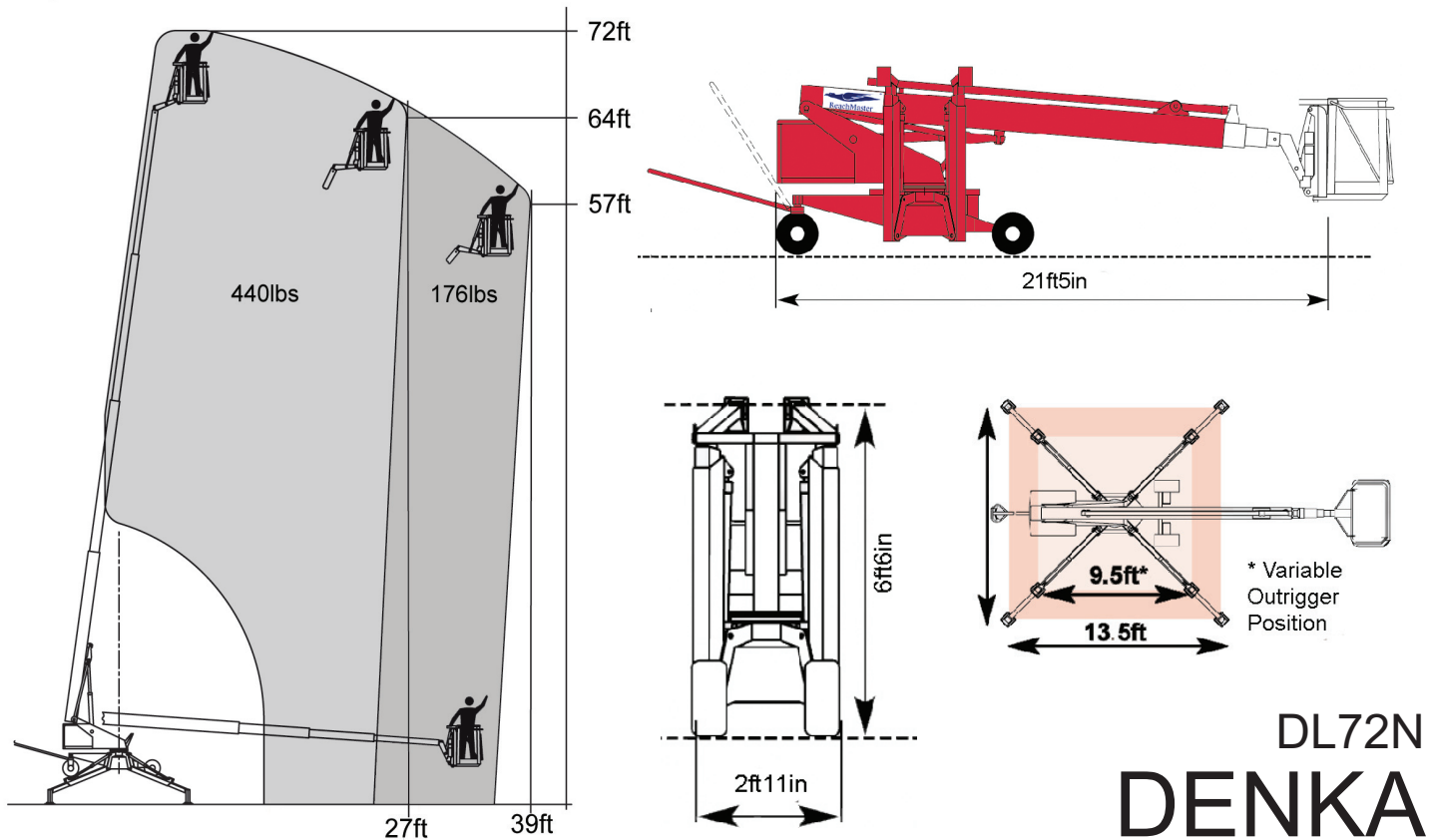
As with any ReachMaster product, safety is our number one concern and priority. The DENKA lift series is equipped with an automatic safety system that adjusts reach capacity according to basket load. Double safety devices in combination with break and pressure control systems provide maximum protection for the operator. Proportional controls allow for smooth and pleasant aerial operation.

- Available in 3 models from 72ft - 92ft
- Pass through a single or double door opening
- Automatic, double safety and stability system
- Multi position outrigger system (DL72N only)
- Battery operation
- Set up on uneven surfaces
- Lightweight, detachable basket
- Customized trailer available upon request

## Model

## DL72N

Working height	72ft
Basket height	66ft
Max outreach	39ft
Basket load	440lbs
Basket dims	3'11" x 2'4"
Basket rotation	+/-45°
Turret rotation	360°
Height	6ft6in
Length	21ft5in
Width	2ft11in
Gradability	12°/21%
Footprint (adjustable)	13ft6in
Weight (approx)	5,060lbs
Pressure, front tires	21psi
Pressure, rear tires	42psi
Press., round footplate	87psi
Press., square footplate	15psi
4 battery pack	Standard
High Capacity Battery	Option
Diesel engine	Option



# DL72N DENKA

## Standard Equipment

- Rotating aluminum basket
- Battery operation
- Preportional control
- Hydraulic outriggers
- Hydraulic wheel drive
- ELCB 30mA
- Hour counter
- Charding key
- Yellow rotating light

## Optional Equipment

- Variable outrigger position
- Special colors
- Yellow flashing light on outriggers
- Biological degradable hydraulic oil
- Current supply\*
- Outlets for air and water in the basket\*
- Height limiting system, 2 steps
- Diesel engine 5.0kW
- Adjustable basket from ground level
- High capacity battery\*

\* Increase in weight

